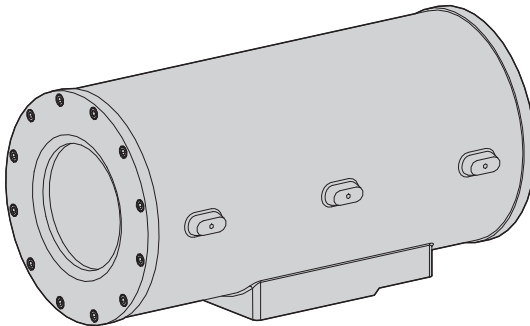


3D Corporation

Ref. Manual (S13-F1201-C002)

TS-EXHS

Explosion-proof camera



EN English - Instructions manual

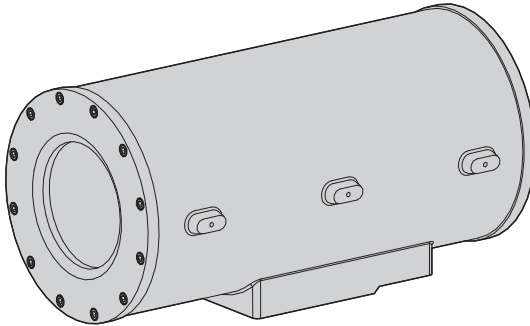
JA 日本語 - 取扱説明書

3D Corporation

Ref. Manual (S13-F1201-C002)

TS-EXHS

Explosion-proof camera



Contents

1 About this manual	5
1.1 Typographical conventions	5
2 Notes on copyright and information on trademarks	5
3 Safety rules	5
4 Identification	6
4.1 Product description and type designation	6
4.2 Product markings	7
5 Preparing the product for use	8
5.1 Safety precautions before use	8
5.2 Contents and unpacking	8
6 Installing and assembling	8
6.1 Assembly	8
6.1.1 Range of use	8
6.2 Installation (only for specialized persons)	8
6.2.1 Installing the camera	9
6.2.2 Changing the back cover gasket	9
6.3 Operational test	9
7 Instructions for safe operation	10
7.1 Safe operation	10
7.1.1 Commissioning	10
7.1.2 Safety rules	10
7.1.3 Explosion prevention rules	10
8 Maintaining and cleaning	10
8.1 Maintenance and cleaning by users	10
8.1.1 Routine (to be carried out regularly)	10
8.1.2 Extraordinary (to be done only under particular circumstances)	10
8.2 Spare parts	11
8.3 Repairs	11
9 Disposal of waste materials	11
10 Technical data	11
10.1 General	11
10.2 Mechanical	11
10.3 Electrical	11
10.4 Option	11
10.5 Brackets	12
10.6 Environment	12
10.7 Compliance to	12
10.8 Package	12
11 Technical drawings	12

1 About this manual

Before installing and using this unit, please read this manual carefully. Be sure to keep it handy for later reference.

1.1 Typographical conventions



DANGER!

High level hazard.

Risk of electric shock; disconnect the power supply before proceeding with any operation, unless indicated otherwise.



DANGER!

Explosion hazard.

Read carefully to avoid danger of explosion.



WARNING!

Medium level hazard.

This operation is very important for the system to function properly. Please read the procedure described very carefully and carry it out as instructed.



INFO

Description of system specifications.

We recommend reading this part carefully in order to understand the subsequent stages.

2 Notes on copyright and information on trademarks

The quoted names of products or companies are trademarks or registered trademarks.

3 Safety rules



The TS-EXHS camera is certified in compliance with TIIS Standard which define the application field and safety requirements and made for use in explosive atmospheres. Make sure that this unit is suitable for the environment in which it will be installed and please carry this installation out very carefully according to TIIS Standard.



This device must be connected to an earth conductor.

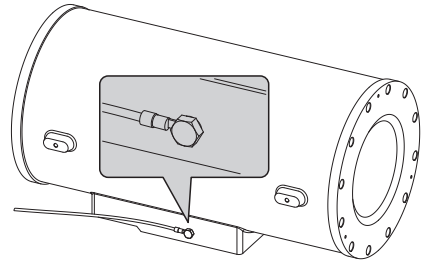


Fig. 01 Earth connection.

- According to TIIS Standard, make sure that all the devices are suitable for the application and for the environment in which they will be installed.
- Make sure that the connected devices are completely compatible and suitable for use.
- We strongly recommend using only approved cable glands during installation.
- Make sure the operating temperatures are compatible with the devices.
- When installing the devices make sure the system and installer personnel are absolutely safe.
- Choose an installation site that is strong enough to sustain the weight of the device, also bearing in mind particular environmental aspects, such as exposure to strong winds.
- We strongly recommend using only approved brackets and accessories during installation. Otherwise, it might cause accidents such as explosion due to looseness or fall of housing.
- Make sure that the device is firmly anchored so that it cannot become detached. We recommend to take measures against the fall of unit.
- Neither screws nor nuts are equipped with this unit. Persons in charge of installation should prepare them according to the environment in which it will be installed.
- The device must be installed and maintained only and exclusively by qualified technical personnel.
- Use appropriate tools for the purpose. The particular nature of the site where the device is to be installed may mean special tools are required for installation.

- Make sure that the installation complies with local regulations and specifications.
- This device must be installed out of the reach of the user or of anyone who might happen to touch it by chance.
- Before doing any technical work on the device, disconnect the power supply.
- Do not use power supply cables that seem worn or old.
- Only qualified technical personnel should be allowed to open the device, and they should work in a non-explosive atmosphere. Tampering with the device will invalidate the guarantee. The manufacturer declines all responsibility for any damage caused by non-qualified personnel and by an improper use of the appliances mentioned in this manual.
- Do not allow children or untrained people to use the device.
- The device can only be considered to be switched off when the power supply has been disconnected and the connection cables to other devices have been removed.
- Before powering the device install an overload protection device in the electrical equipment for the building.
- The user must install neither any apparatus inside the device if it generates dangerous radiation. Don't put any devices which are non-certified into the housing.
- For technical services, consult only and exclusively authorized technicians.
- Keep this handbook carefully; it must be available for consultation on the installation site.
- Never, under any circumstances, make any changes or connections that are not shown in this handbook: improper use of the device can cause serious hazards, risking the safety of personnel and of the system.
- Use only original spare parts.
- Before proceeding with installation check the supplied material to make sure it corresponds to the order specification by examining the identification labels (*4.2 Product markings, page 7*).
- Make sure not to cause any impact against the device when user opens product box. And also make sure that it is intact and that there are no signs that it has been dropped or scratched.

4 Identification

4.1 Product description and type designation

The TS-EXHS series explosion-proof housing has been designed for use with cameras operating in industrial environments in which there may be an explosive atmosphere due to gas, vapors, mists, or air or powder mixtures.

TS-EXHS housings comprise solid, cast Anticorodal aluminum alloy from the AISi7Mg EN AB-42000 group, the exact chemical composition of which is defined in the UNI EN 1706 standard.

All parts are powder-painted and oven-cured or treated with special coatings giving excellent resistant to UV light, to salt spray and to atmospheric pollutants. Take extra care neither to scratch nor peel the outer surface off.

The camera body comprises a cylindrical tube, with a flange that houses a strong, transparent glass; opposite to the glass there is another flange that, as well as closing the cylinder, also supports the plate to which the camera is to be attached.

The housing has two holes for 3/4" NPT cable glands. These cable glands guarantee an IP66 protection level.

Cable glands and blanking plug are optional, which should be certified.

4.2 Product markings



Check the certifications on the data plate of the product you have purchased.

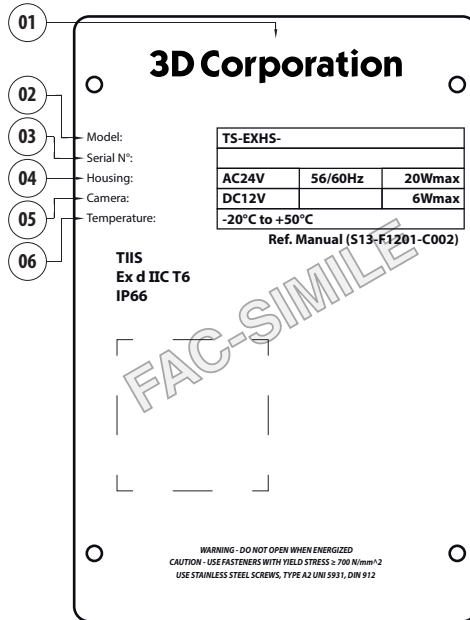


Fig. 02 Example of data plate.

01. Manufacturer's name

02. Model identification code

03. Serial number

04. Housing:

- Power supply voltage (V)
- Frequency (Hz)
- Housing power consumption (W)

05. Camera:


- Power supply voltage (V)
- Maximum power consumption (W) - (the data for the camera refer to the voltage specification and maximum allowed power consumption for camera operation)


06. Ambient temperature of use referring to model identification code




Before installation, make sure the power supply and protection specifications of the device correspond to those in the original order. Use of unsuitable appliances can cause serious hazards, risking the safety of personnel and of the installation.


5 Preparing the product for use


 **Any change that is not expressly approved by the manufacturer will invalidate both the guarantee and certification.**

 **No special requirements are demanded from those in charge of handling; therefore follow normal accident prevention regulations when carrying out this operation.**

5.1 Safety precautions before use

 **The following procedures should be carried out with the power supply disconnected, unless indicated otherwise. An appropriate protection device should be installed in the electrical equipment upstream of the device.**

 **Never exceed performance specifications. Do not replace the housing screws with other kinds of screw. Make all connections in a non-explosive atmosphere.**

 **The device must be installed only and exclusively by qualified technical personnel. Make connections and tests in the laboratory before carrying out installation on site. Use appropriate tools for the purpose.**

5.2 Contents and unpacking

When the product is delivered, make sure that the package is intact and that there are no signs that it has been dropped or scratched.

If there are obvious signs of damage, contact the supplier immediately.

Keep the packaging in case you need to send the product for repairs.

Check the contents to make sure they correspond with the list of materials as below:

- 1 explosion-proof housing
- 1 gasket kit
- 1 instructions manual

6 Installing and assembling

 **Only specialized personnel should be allowed to install and assemble the device.**

6.1 Assembly

6.1.1 Range of use

TS-EXHS is a pre-installed camera into a frame-proof housing, certified by TIIS. Please note that the installation of other camera isn't allowed by TIIS. Cable glands and blanking plug should be selected also from the one we recommend. Make sure if cable to use also fits to this cables glands. Housing without certified camera isn't allowed to be used in explosive and hazardous areas and it might involve disasters. Purchasers should keep units under strict supervision to avoid modification and incorrect use.

The EXHS is designed for use in a fixed location, for surveillance of areas with class 1-21 or class 2-22 potentially explosive atmospheres.

6.2 Installation (only for specialized persons)

The installer must not use devices that generate dangerous radiation.

The back flange of the housing has 12 stainless steel A2-type M6 screws. It also has 3 screws at 120° intervals to facilitate extraction of the flange. When the M6-thread screws have been unscrewed from the flange, turning the 3 screws at 120° (one turn per screw at a time, in turn) will make it easier to extract the flange.

6.2.1 Installing the camera

To install the camera, you have to extract the flange closing the housing, which also supports the plate to which the camera will be attached, and the related terminal board. This plate is supported on two guides attached to the housing; when the flange is removed, the plate slides along the guides, so that it is easy to fit and connect the camera and its accessories. During installation, we strongly recommend insulating the camera from the support plate using the supplied insulating spacers.

(To identify the parts, see the illustration below and the attached electrical diagram).

Before closing the flange, after installing the camera, make sure that the 4 earth wires have been connected (back cover, front cover, housing body, terminal board) and make sure they have been placed at the same potential.

We recommend a torque wrench setting of 12.5Nm for the 12 screws closing the flange.

The appropriate joint is used to install the housing. It has 4xM6 holes at 90° intervals, and, where appropriate, a bracket which is attached using the 4xM8 holes.

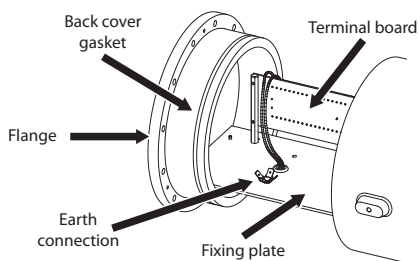


Fig. 03

6.2.2 Changing the back cover gasket

If the back cover gasket of the housing is worn it should be replaced using the supplied spare or, failing that, using only and exclusively an original part. Don't use used gaskets even if it isn't worn-out. Take extra care to place gasket in the position in order to avoid damage or cutting during tightening up. If the position is incorrect, the unit can't keep an airtight and might cause accidents.

When changing the gasket, take care to make sure it is properly inserted in its seating.

Reconnect the earth wires that had been disconnected in order to extract the flange.

Close the flange properly, using a torque wrench setting of 12.5Nm when tightening the 12 screws. Tighten 12 screws in turn. To tighten them every 2 rotations equally. If one screw is tighten at first, the flange could lean to the one side and be damaged. Take care the way to tighten screws to make any inconveniences. The manufacturer declines all responsibility for any damage caused by inappropriate ways to open and close the flanges.

6.3 Operational test



Before proceeding with the following operations, make sure that the mains voltage is correct.

To connect the housing to the main power supply use fire-resistant cables designed for use in potentially explosive atmospheres, and proceed as follows:

The housing has two holes for 3/4" NPT cable glands.

- Choose and install certified cable glands "GEUZ20" which we officially recommend as option. Make sure if the diameter of cable fits GEUZ20. When only one cable is used, put 1 blanking plug "PXN20" also certified by TIIS in order to close another hole. Any other devices aren't allowed to use.
- Fasten the cable gland using a torque setting which guarantees that at least five threads are engaged.
- Use cables that are suitable for the selected cable glands.
- Make the connections with the camera and lens;
- Power the unit.
- Carry out the operational tests.

7 Instructions for safe operation

7.1 Safe operation



Before proceeding with the following operations, make sure that the mains voltage is correct.

7.1.1 Commissioning

- Read the whole of this user's handbook very carefully.
- Test system operation for positive results.
- Prepare an appropriate power supply line.

7.1.2 Safety rules

- Given the considerable weight of the system, use an appropriate transport and handling system.
- Before starting any operation, make sure the power supply is disconnected.
- Before powering the system, install an overload protection device in the electrical equipment for the building.
- Make sure that all precautions for personal safety have been taken.
- Installation of the electrical equipment must comply with the local legislation in force.

7.1.3 Explosion prevention rules

- Choose a solid, stable support surface.
- Choose an appropriate support bracket, if used.
- Use appropriate tools for the area in which you are working.
- Do not open the housing if there is a possibility of your being in a potentially explosive atmosphere.
- Use safe, long-lasting screws or other anchorage systems.



Always remember that the unit must be connected to an appropriate earth conductor.



After commissioning the system keep this handbook in a safe place, available for later consultation.

8 Maintaining and cleaning



Before doing any technical work on the device, disconnect the power supply.

8.1 Maintenance and cleaning by users

8.1.1 Routine (to be carried out regularly)

Cleaning the glass: Water should be used, or a liquid detergent that will not generate a hazardous situation. Take extra care not to scratch or damage the outer surface. Do not use ethyl alcohol, solvents, hydrogenated hydrocarbons, strong acids or alkalis. It might cause diffused reflection and make image unclear.

Cleaning the device: This should be done regularly; if a layer of dust accumulates on the outside of the housing, it should never be more than 5mm thick. The device should be cleaned using a damp cloth; compressed air must not be used. Maintenance frequency will depend on the type of environment in which the housing is used.


Inspecting the cables: The cables should not show signs of damage or wear, which could generate hazardous situations; in this case extraordinary maintenance is necessary.


Opening the housing to change the camera:


Check the condition of the back cover gasket of the housing; if it needs changing use only the one supplied with the housing or, failing that, use only original spare parts (6.2.2 *Changing the back cover gasket, page 9*).


8.1.2 Extraordinary (to be done only under particular circumstances)

- Only specialized personnel according to TIIS Standard should be allowed to do the following works.
- Changing the front unit with glass (or the glass protection unit when present).
- Changing the inner slide unit with heater wiring and electrical connection board.
- Hazardous wear or damage to cables.
- Camera or lens failure.
- Explosion in or near the housing.
- Any other situation in which the housing has to be opened.


 For damage to any parts that are not indicated above, repair or replacement must be done by the manufacturer

 Whenever replacing the parts as indicated, always use original spare parts and meticulously follow the maintenance instructions supplied with every spare parts kit.


 The manufacturer declines all liability for damage to any of the apparatus mentioned in this handbook, when resulting from tampering, use of non-original spare parts, and from installation and maintenance/repairs performed by non-authorized, non-skilled personnel.

 In all such circumstances, the housing should be sent to the workshop for the necessary repairs or maintenance.

8.2 Spare parts

 To order the spare parts such as O rings it is necessary to provide the serial number of the product on which the intervention is to be carried out. Please contact to your dealer (sales).

8.3 Repairs

 For any other maintenance intervention the product must be sent to the manufacturer, subject to a request for return authorization.

9 Disposal of waste materials

Your product is designed and manufactured with high quality materials and components which can be recycled and reused.

Electrical and electronic equipment, at their end-of-life, should be disposed of separately from your household waste.

Please dispose of this equipment at your local Community waste collection or Recycling center.

10 Technical data

10.1 General

Non-corrosive die-cast aluminum (anticorrosional)

Bicomponent polyurethane enamel with orange peel effect, RAL7032

10.2 Mechanical

2 holes for cable glands 3/4" NPT

External dimensions Ø 210mmx427.5mm (8.2x16.8in)

Internal dimensions Ø 180x380mm (7x14.9in)

Internal usable area 100x100x280mm (3.9x3.9x11in)

Glass window Ø 114mm (4.5in)

Wall mount

Load rating: 35kg (77lb)

Length: 455mm (17.9in)

Parapet mount

Load rating: 35kg (77lb)

10.3 Electrical

Heater **Ton 15°C +/-4°C**
 Toff 22°C +/-3°C

IN 24Vac, consumption 20W max

Devices to install inside the housing

Camera: Analogue(NTSC) or HD-SDI camera

built-in Lens: x 36 optical zoom (f3.4 - 122.4mm) Analog camera, x20 optical zoom (f4.7 - 94mm) HD-SDI camera

Maximum voltage: 24Vac for heater, 12dc for camera

Minimum distance between the walls of the housing and the camera/lens: 12mm

10.4 Option

Cable glands and blanking plug

Cable glands: GEUZ20-NPT Ø 13

Blanking plug: PNX20-NPT Ø 13

10.5 Brackets

Wall mounting bracket: THW-EXB1

Parapet mounting bracket: THW-EXPM

10.6 Environment

Operating temperature with heater: -20°C / +50°C

Always refer to the temperature in the marking

10.7 Compliance to

Type of Explosion-Protection: Ex d IIC T6 IP66

Certification Number: TIIS No.TC20701

10.8 Package

Unit Weight: (without camera) 15kg

Package Weight: (without camera) 17,5kg

Package Dimensions (BxHxD): 61x32x31cm

11 Technical drawings



The values are in millimeters.

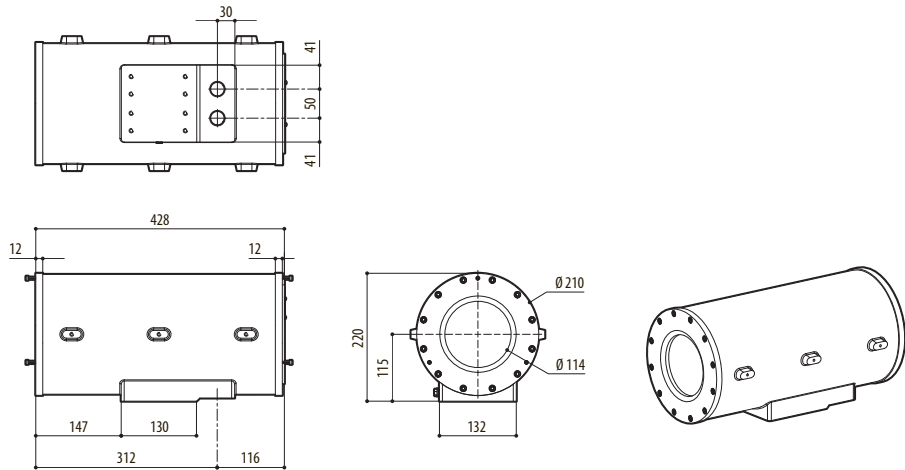


Fig. 04 TS-EXHS

3D Corporation

3D Corporation
4-24-9 Kamiyoga SetagayakuTokyo Japan 158-0098
Tel. 03-5451-0511 Fax.03-5451-0510
<http://www.3d-inc.co.jp>
e-mail: info@3d-inc.co.jp

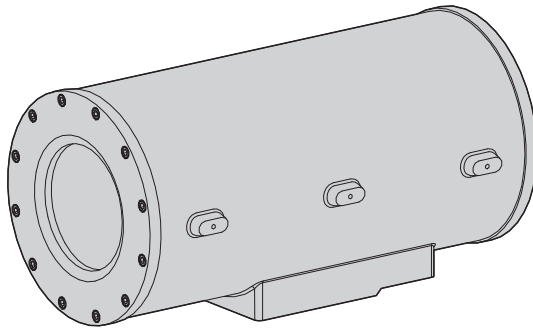
MNVCEHCJP_1504_EN

3D Corporation

Ref. Manual (S13-F1201-C002)

TS-EXHS

耐圧防爆カメラ



目次

1 はじめに	5
1.1 記号の意味.....	5
2 コピーライト・著作権について	5
3 安全のために	5
4 識別	6
4.1 製品概要と各タイプについて.....	6
4.2 銘板 (製品ラベル).....	7
5 使用前の準備	8
5.1 使用前の安全対策.....	8
5.2 内容物と開梱.....	8
6 設置と組み込み	8
6.1 組み込み.....	8
6.1.1 使用範囲.....	8
6.2 設置 (専門技術者のみ).....	8
6.2.1 カメラの設置.....	9
6.2.2 背面カバーガasketの交換.....	9
6.3 動作テスト.....	9
7 安全な操作のために	10
7.1 安全な作業.....	10
7.1.1 お願い.....	10
7.1.2 安全規則.....	10
7.1.3 爆発予防のために.....	10
8 メンテナンスと清掃	10
8.1 ユーザーによるメンテナンスと清掃.....	10
8.1.1 基本作業 (定期的に行う作業).....	10
8.1.2 特殊なメンテナンス (必要な場合に行う作業).....	10
8.2 スペア部品.....	11
8.3 修理.....	11
9 梱包材の処分	11
10 製品仕様	11
10.1 全般.....	11
10.2 構造.....	11
10.3 電気.....	11
10.4 オプション.....	11
10.5 ブラケット.....	12
10.6 環境.....	12
10.7 適合規格.....	12
10.8 梱包.....	12
11 製品図面	12

1 はじめに

本マニュアルは、「TS-EXHS シリーズ 耐圧防爆カメラ」についての機器概要・設置等について説明しています。必ずよく読み、安全に設置作業を進めてください。また、設置完了後も大切に保管し、その後の作業の際に必ず参照ください。

1.1 記号の意味

危険!
危険度 高
電気ショックの危険があります。必ず電源を抜いてから作業を行ってください。記載されていないことは何も行わないでください。

危険!
危険度 爆発の危険
爆発の危険性を避けるためによく読んで作業を行ってください。

警告!
危険度 中
システムの正常動作のために非常に大切な作業です。記載事項をよく読み、記載のとおり作業を実行してください。

i 注意情報
製品仕様に関する記述事項です。次のステップをよりよく理解するために本記載事項を注意深く読んでください。

2 コピーライト・著作権について

このマニュアルに使用されている社名・商標はそれぞれの製造元・発売元に帰属します。

3 安全のために

危険! 本製品は産業安全協会の規定する技術指針並びにTIS認証を得た製品で、爆発危険区域に配置する重要設備に使用します。製品の規定や定格及び設置環境をよく確認して防爆規定に則した適格な作業を行うようにしてください。

危険! 本製品は、必ず接地工事を施してください。

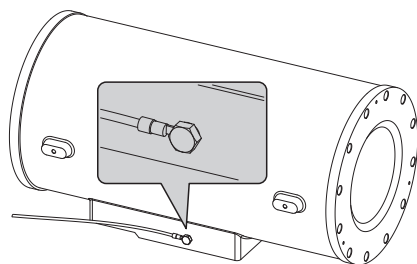


Fig. 01 アース接続

- ・ 防爆規定に基づき、本製品と使用するすべてのデバイスが設置環境に適合していることを確認してください。
- ・ 接続する機器が本体と整合性があり、使用に合致していることを確認してください。
- ・ ケーブルグランドは当社の推奨するものを必ず使用するようにしてください。
- ・ 動作環境温度が本製品に対応範囲であることを確認してください。
- ・ 製品設置時には、システムと設置技術者が安全確保に留意して充分確認の上、作業するようにしてください。
- ・ 製品の重量に耐える場所に設置してください。特に強い風が吹くなど特殊環境では、軸がずれない確実な場所を選んでください。
- ・ 設置には、弊社で推奨している専用ブラケットを必ず使用してください。専用品以外の使用は、製品脱落、緩みなどに起因する爆発事故など重大な事故を誘発する原因になります。
- ・ 本製品が確実に固定されていることを確認してください。防爆規定範囲での落下防止対策を講じることを推奨します。
- ・ 本製品を使用者の設置場所に合わせて設置いただくために、製品には設置表面に固定するためのネジ等は付属していません。設置者は責任を持って、設置場所とネジを選定し、作業を行ってください。
- ・ 本製品は必ず専門技術者により設置・メンテナンスを行ってください。
- ・ 設置場所によっては、特別な工具が必要になる場合もあります。必ず、用途に適した工具を使用してください。

- ・ 設置作業は、現場の規制や設計仕様を確認して実施してください。
- ・ 本製品は誰もが容易に触れない場所に設定してください。
- ・ 製品に対し技術的作業を実施する前には必ず電源を切ってください。
- ・ 使い古した電源ケーブルや古い電源ケーブルを使用しないでください。
- ・ 専門技術者のみが製品を開けることができます。また、作業は非防爆エリアで行ってください。当社が技術移転した作業者、または当社が委任したものの以外での開封による各種の不都合は無償保証期間を無効としています。またこれに起因する事故、不都合に関してすべて当社は免責とさせていただきます。
- ・ 子どもや慣れていない人に製品を触らせないでください。
- ・ 本製品に電源が接続されておらず、電源ケーブルも未接続の時には、製品には電源は入っていません。
- ・ 本体に電源を入れる前に、建物の電気回路に過電流保護ブレーカーを設置してください。
- ・ 危険な放射線を発するような装置、また当社が認証を受けて提供する製品以外を内部に組み込まないでください。
- ・ 技術サービスは権限をもった専門の技術者が行います。
- ・ このマニュアルは設置場所でいつでも参照できるよう大切に保管してください。
- ・ いかなる環境下でも、このマニュアルに記載のない変更や改良などを実施しないでください。製品の不適正な使用は、人身被害やシステム損傷など、重大な災害をもたらします。
- ・ スペア部品は必ず正規品を使用してください。
- ・ 設置作業を開始する前に、梱包物がご注文の仕様に相違ないか、製品ラベルの記載内容をよく確認してください（4.2 銘板（製品ラベル）、※ 7ページ）。
- ・ また開梱時は製品の扱いに留意して衝撃などを加えないように留意してください。開梱時は本体に疵やヒビ、割れなどが無いかよく確認してください。

4 識別

4.1 製品概要と各タイプについて

TS-EXHSシリーズは、ガス、水蒸気、蒸気、揮発、粉塵などによる爆発の危険がある工業エリアで使用する監視カメラを内包する専用の耐圧防爆容器です。

TS-EXHSハウジングは、堅牢な素材である耐腐食性アルミニウム合金(AISi7Mg EN AB-42000 グループ)製で、UNI EN 1706基準に定められている製品です。

すべてのパーツは粉体塗装されており、紫外線、塩水噴霧や、大気汚染に耐用する特別なコーティングを施しています。本体に傷や塗膜を剥離するようなこと無い様に留意して扱うようにしてください。

ハウジング本体は、シリンダーチューブと強化ガラスを搭載した前面フランジと背面フランジで構成されます。ハウジング内部のプレートにカメラを固定します。

ハウジングには、3/4" NPTのケーブルグランドを取り付ける穴2つがあります。

ケーブルグランドは、防水防塵保護等級IP66仕様でなければいけません。

ケーブルグランドおよび閉栓は、防爆検定合格品を使用します。

4.2 銘板 (製品ラベル)



製品到着後、製品ラベルの規格情報を確認してください。

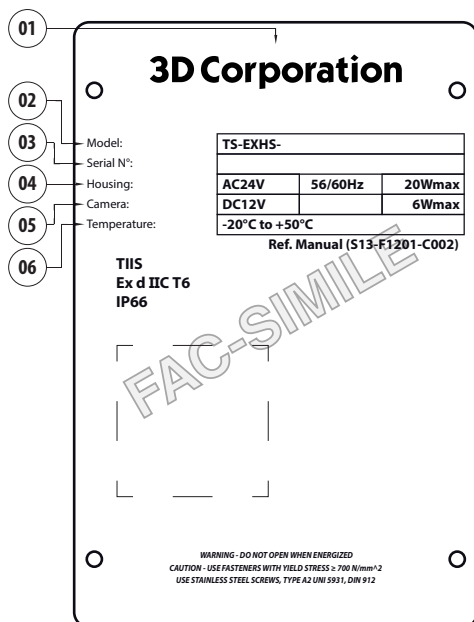


Fig. 02 機器本体の銘板には、以下の情報が記載されています。


01. 製造元名称
02. モデル識別コード
03. 製品番号
- 04.ハウジング:
 - ・ 使用電圧 (V)
 - ・ 周波数 (Hz)
 - ・ 消費電力 (W)


05. カメラ:
 - ・ 使用電圧 (V)
 - ・ 消費電力 (W)
06. 対応周囲温度




設置の前に必ず電源仕様及び防爆仕様を確認してください。適応していない場所での使用は、人身及びシステムに重大な損傷を及ぼす危険性があります。


5 使用前の準備


 製造元から明確に認められていない変更を行った場合、製品の保証も防爆認定も無効となります。

 取扱いは、特殊なことは要求されません。作業を行う前には、一般的な安全対策に従ってください。

5.1 使用前の安全対策

 例外なく電源の投入はすべての手順が完了してから行うようにします。本体に接続するすべての部品や素子を先に装着するようにします。

 決して本製品の性能仕様を超えて使用しないでください。ハウジングのネジは付属品以外のネジに変更しないでください。全ての接続は、非防爆エリアで行ってください。

 製品の設置は、専門の技術者が行ってください。現場へ設置する前に必ず検証室等で接続及びテストを行ってください。そして、用途に適した工具を使用してください。

5.2 内容物と開梱

製品到着後、梱包に問題なく、落下の形跡や疵がないことを確認ください。

万が一、そのような形跡がみられた場合はすぐに購入先にご連絡ください。

製品の輸送時は、本製品専用の梱包材を使用してください。重量物につきこれ以外の梱包は、変形や破損の原因になります。

以下の製品が入っていることをご確認ください。

- 1 防爆ハウジング本体
- 1 ガスケットキット
- 1 設置マニュアル

6 設置と組み込み

 本製品の組み込み及び設置は、必ず専門の技術者が行います。

6.1 組み込み

6.1.1 使用範囲

防爆規定により認証を受けたカメラを本耐圧防爆容器に収容して使用します。当社が規定するカメラ以外の製品を収容することは防爆規定で認められていません。またこれに使用するケーブル径及びケーブルグランドも当社が規定し提供するものを必ず使用してください。認証を受けた製品、規格以外の収容物を内包することは法律で禁止されていると同時に、爆発など重大な災害につながる恐れがあります。違法な改造や規定以外に工事は行わないように購入者は管理してください。

TS-EXHSカメラは、潜在的防爆エリアであるクラス1-21もしくは、2-22レベルのエリアの監視用であり、固定した場所で使用します。

6.2 設置(専門技術者のみ)

設置の際は、規定外の部品や製品、危険な放射能を出すデバイスを使用してはいけません。

ハウジングのバックフランジには、A2タイプM6のステンレススチールネジがあります。さらに、120°間隔で3つのネジがあり、それらにより容易にフランジを取り出せます。M6スレッドネジをフランジから取り外し、120度間隔の3つのネジをそれぞれ徐々に締め込みフランジを抜いてゆきます。このときに均等にフランジが上昇(抜く)するように進めてください。偏った締め込みはシリンダーの傷や抜き取りが困難な状態を招きます。充分注意し3本のスクリューを平均に上昇(抜く)用に進めてください。またこのスクリューは所定の工具で取り外すようにしてください。

6.2.1 カメラの設置

カメラを取り付けるには、ハウジングを開けているフランジを抜き出します。フランジは、カメラを固定するプレートと関連する端子ボードを支えています。このプレートは、ハウジングに固定される2つのガイドに支持されています。フランジを外す際は、ガイドに沿ってスライドさせるので、カメラやアクセサリを容易に取り付けられます。設置の際は、プレートからカメラを絶縁させるために必ず絶縁スペーサーを装着して導電乖離を図るようにしてください。

※組込み設置の際は、上図及び巻末の電気回路図を参照の上、実施してください。

カメラの設置が完了しフランジを閉じる前に、4本のアース線が背面カバー、前面カバー、ハウジング本体、端子ボードに接続されており、それらが同じ電位に置かれていることを確認してください。

フランジを閉じる12のネジは12.5Nmのトルクで均等に締めてください。

90度間隔で4つのM6の穴があります。ブラケットは、4つのM8ネジ穴の所定の位置で固定します。

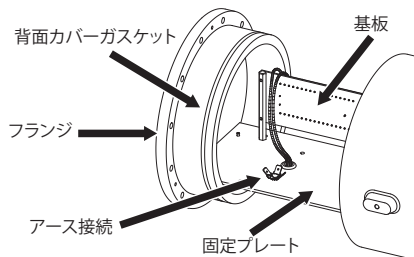


Fig. 03

6.2.2 背面カバーガスケットの交換

前後のフランジを取り外す際は、必ず内部のガスケットを新しいものに交換して使用してください。着脱を行ったガスケットの再利用はできません。一度でも締め込んだものは必ず交換して使用します。またガスケット締め込みの際は必ずガスケットピットにガスケットをはめて、はみ出したまま閉めたり、ガスケットが切れたりしないように充分留意してください。この作業が適切でない場合、機密が保てなくなり爆発などの事故を誘発する原因なる場合があります。

ガスケットを交換する際は、シーリングが正しく挿入されているか確認してください。

フランジを取り出すために外したアース線は必ず元どおり接続してください。

12個のネジを締める際には、12.5Nmの回転トルクで対角上のネジを交互に締め込んでください。各締め込みは2回転を目安にすべてのネジが均等なレベルであることを維持しながら作業してください。1本のネジのみを先行して締め込むとフランジが偏芯しシリンダーの傷やシリンダー固着など不都合を招く原因となりますので充分留意してください。シリンダー偏芯に伴う傷やフランジ開閉不能などの事態は製品保証外として扱わせていただいています。

6.3 動作テスト



次の作業を行う前に、主電圧が正しいことを確認してください。


ハウジングを主電源に接続するケーブルは、防爆エリア用の難燃性ケーブルを使用してください。テストは、以下の手順で行ってください。

ハウジングには、3/4"NPTのケーブルグランドを取り付ける穴2つがあります。

- 当社が推奨するGEUZ20型ケーブルグランド(別売)をハウジングケーブル穴に装填し締め込みます。配線ケーブルはケーブルグランドに規定する外皮径のものを使用してください。1穴のみ使用する場合、他の穴にグランドキャップPXN20型(別売)を使用し穴を塞ぎます。必ず当社が指定する専用品を使用してください。これ以外の使用は認証を維持することができません。
- 適正なトルクでケーブルグランドを締めます。
- ケーブルグランドに適したケーブルを使用ください。
- カメラの接続を確認してください。
- 製品の電源を入れます。
- 動作テストを実行します。

7 安全な操作のために

7.1 安全な作業

 次の作業を行う前に、主電圧が正しいことを確認してください。

7.1.1 お願い

- 本マニュアルを熟読してください。
- 確実な結果を得るために動作テストを行ってください。
- 適切な電源ケーブルを用意してください。

7.1.2 安全規則

- 製品の重量を考慮し、適正な配送方法を選択し搬送してください。
- 作業の前には、電源が接続されていないことを確認してください。
- システムに電源を入れる前に、施設の電気設備に過負荷保護デバイスを設置してください。
- 人的安全のために、全ての予防策が取られたことを確認してください。
- 電気設備の設置は、地域の法律に従ってください。

7.1.3 爆発予防のために

- 硬く安定した地面を選択してください。
- ブラケットを使用する場合は、当社適合製品を使用してください。
- 作業に応じ適正な工具を使用してください。
- 爆発雰囲気領域では、通電した本ハウジングを開けてはいけません。
- ブラケットの固定は、重量を考え、耐久性のあるネジを使用してください。

 作業を行う際は、事前に必ず電源を外して、帯電除去を行ってください。

 製品設置後も、本マニュアルを安全な場所に保管し、いつでも内容を確認できるようにしてください。

8 メンテナンスと清掃

 作業を行う際は、事前に必ず電源を外して、帯電除去を行ってください。

8.1 ユーザーによるメンテナンスと清掃

8.1.1 基本作業 (定期的に行う作業)

ガラスの清掃: 水、もしくは爆発の危険を生じない希釈した洗浄剤を使用します。アルコールなど引火性のある溶剤を使用することは避けてください。その際、傷や衝撃などに充分留意してください。強く研磨したり、有機溶剤を使用したりすると、乱反射して画像が不透明になる場合があります。

本体の清掃: 定期的な清掃を行ってください。清掃の頻度は、設置環境によります。粉塵の多い環境の場合、埃を5mm以上堆積させてはいけません。本体を湿らせた布で拭いてください。エアダスターなどは使用してはいけません。

ケーブルの点検: 爆発エリアでは、ケーブルは摩耗、劣化してはいけません。そのような状態が確認された場合は、すぐに特別な作業が必要です。

カメラ交換時: 内蔵のカメラを交換する際には、ハウジングの背面フランジのケーブルグランドの状態を確認し、交換が必要な場合は併せて交換してください。必ず、適正な規格品を使用してください。

8.1.2 特殊なメンテナンス (必要な場合に行う作業)

次の場合は防爆規定を掌握した作業者が行うようにしてください。

- ガラスを含む前面フランジの交換
- ヒーターケーブル及び接続基板を含む内部スライドユニットの交換
- ケーブルの磨耗や損傷した場合の補修、交換
- カメラやレンズの不具合発生時の作業
- ハウジングの近く、もしくは内部で爆発した場合の点検
- ハウジングを開ける必要が生じた場合の作業

! 上記に記載のない部品の修理であっても、修理・交換は製造元により行われます。

! 上述の部品交換には必ず、製造元の正規の部品を使用します。作業は、部品に付属のマニュアルに従い、細心の注意を払って行ってください。

! 本製品はTIIS国内認証を取得し、認証条件を順守した製品を提供しています。本案内に反した使用、本体の切削や塗膜剥離、他の物質を張り付けるなどの加工は認証規定に反します。必ず規定範囲の事項を順守して作業してください。

i このような全ての状況において、ハウジングの修理・保守が必要な場合は、必ず工場へ返送してください。

8.2 スペア部品

i Oリングなどのスペア部品を注文するには、本製品の製品番号が必要です。販売元に製品番号をお知らせください。

8.3 修理

i 製品を修理する必要がある場合、当社にて点検及び修理を受け付けています。必要事項を当社に連絡いただき概算見積を案内しています。その上で内容と金額を確認いただき製品を当社へ送付してください。指定により可能な場合は引き取りも行います。(有償)修理品を点検し、ご依頼内容と照合し作業完了後製品を返送します。ご依頼内容と差異がある場合は改め見積と作業の可否をご案内するようにしています。内容により修理不能な場合もありますので予め承知いただくようお願いいたします。

9 梱包材の処分

製品は、リサイクル・リユース可能な材質・部品で構成されています。

電子部品・電気部品は、廃棄の際には家庭ごみとは分別して処分してください。

製品を廃棄する場合は、各自治体のごみ集積所もしくはリサイクルセンターで処分してください。

10 製品仕様

10.1 全般

耐腐食性ダイキャストアルミニウム
バイコンポーネント ポリウレタン エナメル
RAL7032

10.2 構造

ケーブルグランド 3/4"NPT × 2個
外形寸法 Ø 210mmx427.5mm
内部寸法 Ø 180x380mm
内部有効寸法 100x100x280mm
前面窓ガラス Ø 114mm

ウォールブラケット

耐荷重: 35kg

長さ: 455mm

パラペットマウント

耐荷重: 35kg

10.3 電気

ヒーター作動環境 オン:15°C(±4°)
オフ:22°C(±3°)

ヒーター電源 AC24V 消費電力最大20W

ハウジング内蔵デバイス

ズームカメラ: アナログ(NTSC) もしくは、HD-SDI

内蔵レンズ: アナログ光学36倍 f 3.4
~122.4mm、HD-SDI光学20倍 f4.7~94mm

最大電圧: ヒーターAC24V、カメラDC12V

ハウジング壁面とカメラ(レンズ)間の最少距離:
12mm

10.4 オプション

ケーブルグランドと閉栓

ケーブルグランド: GEUZ20-NPTφ13

閉栓: PXN20-NPTφ13

10.5 ブラケット

ウォールマウントブラケット: THW-EXB1

パラペットマウントブラケット: THW-EXPM

10.6 環境

ヒーター使用時周囲環境温度: $-20^{\circ}\text{C}\sim 50^{\circ}\text{C}$

製品ラベル記載の温度を参照ください。

10.7 適合規格

防爆構造: Ex d IIC T6 IP66

TIIS耐圧防爆合格番号 検・第TC20701号

10.8 梱包

製品重量: (カメラ含まず) 15kg

梱包重量: (カメラ含まず) 17.5kg

梱包寸法(WxHxD): 61x32x31cm

11 製品図面

i 単位(mm)

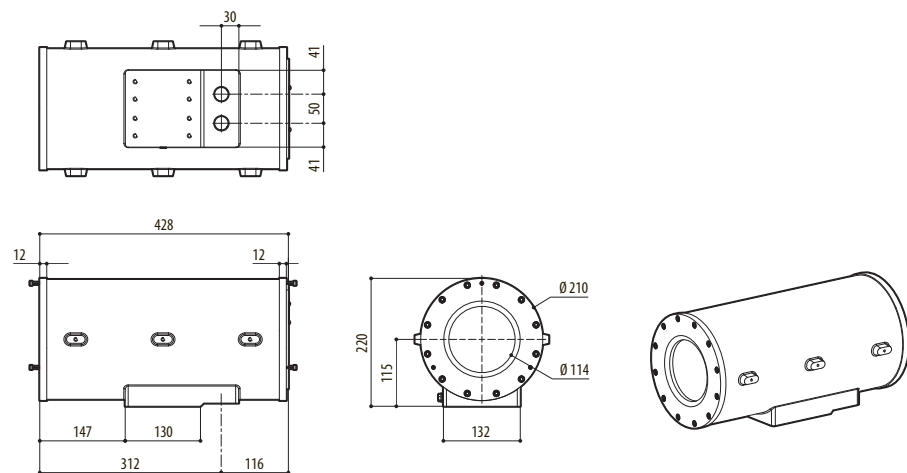


Fig. 04 TS-EXHS

3D Corporation

株式会社スリーディー
〒154-0004 東京都世田谷区太子堂4-1-1
電話: 03-5431-5971 FAX: 03-5431-5970
<http://www.3d-inc.co.jp>
e-mail: info@3d-inc.co.jp

MNVCEXHCJP_1504_JA

3D Corporation

3D Corporation
4-1-1 Taishido Setagayaku Tokyo Japan 154-0004
Tel. 03-5431-5971 Fax.03-5431-5970
<http://www.3d-inc.co.jp>
e-mail: info@3d-inc.co.jp

MNVCEHCJP_1504